

DASH'RRR DIY-GUIDES

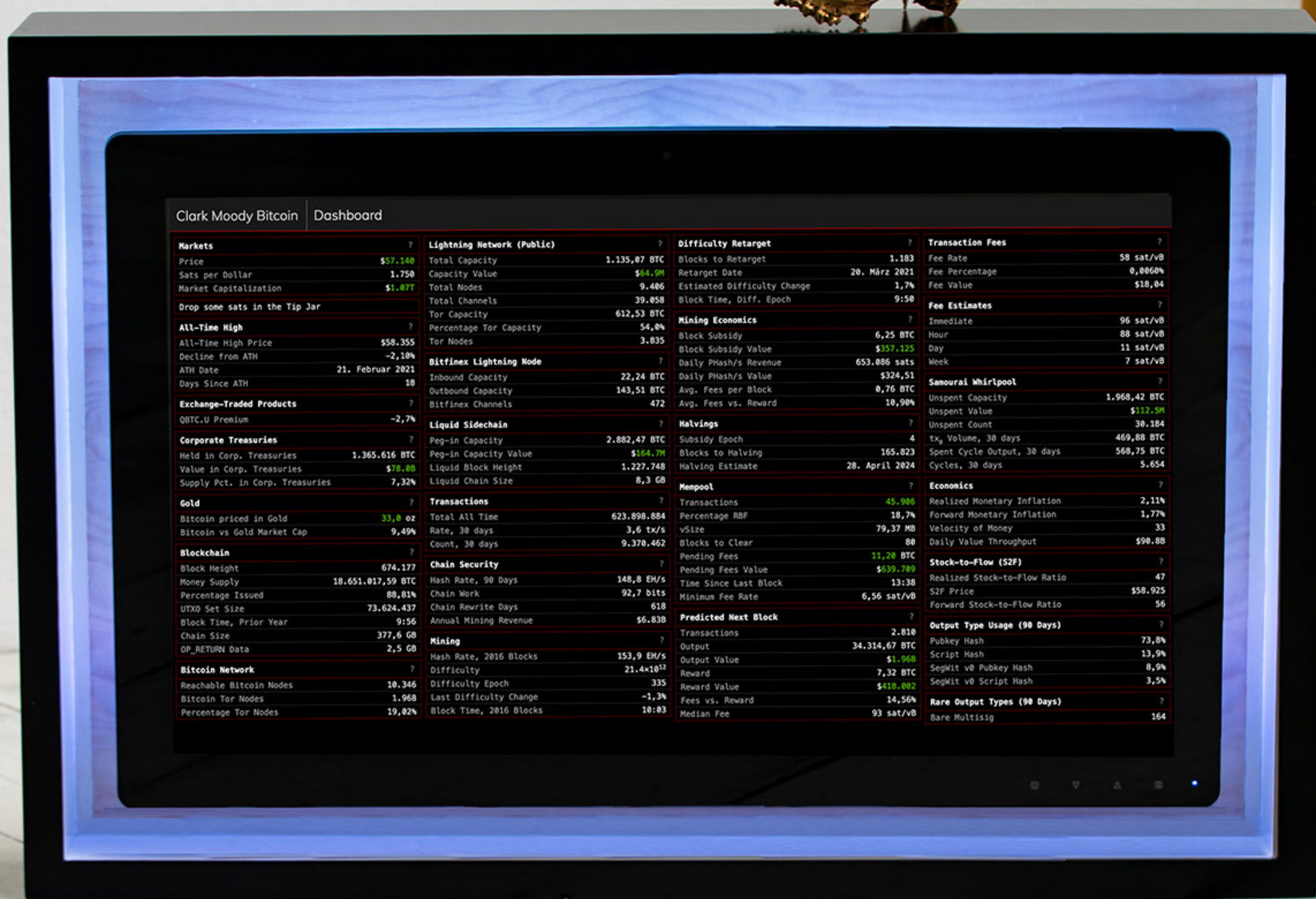


BE
OPEN
SOURCE

IN VERSION /01

07.05.2021

MAXI 27"



DIY MAXI 27"

RASPI PI4 8GB RAM ANY OTHER RASPI WILL DO

POWER CABLE I USED THE RASPI ORIGINAL

200 GB SD OR ANY SD-CARD YOU'VE GOT FLYING AROUND

27" TOUCH DISPLAY [IYIAMA PRO-LITE FHD IPS](#)

CUSTOM MADE FRAME FROM YOUR FAV CARPENTER

USB LED-STRIP [ANY CHEAP FROM EBAY](#)

USB-C HUB ANY SLIM WILL DO

VELCRO TAPE [HEAVY DUTY STICK ON](#)

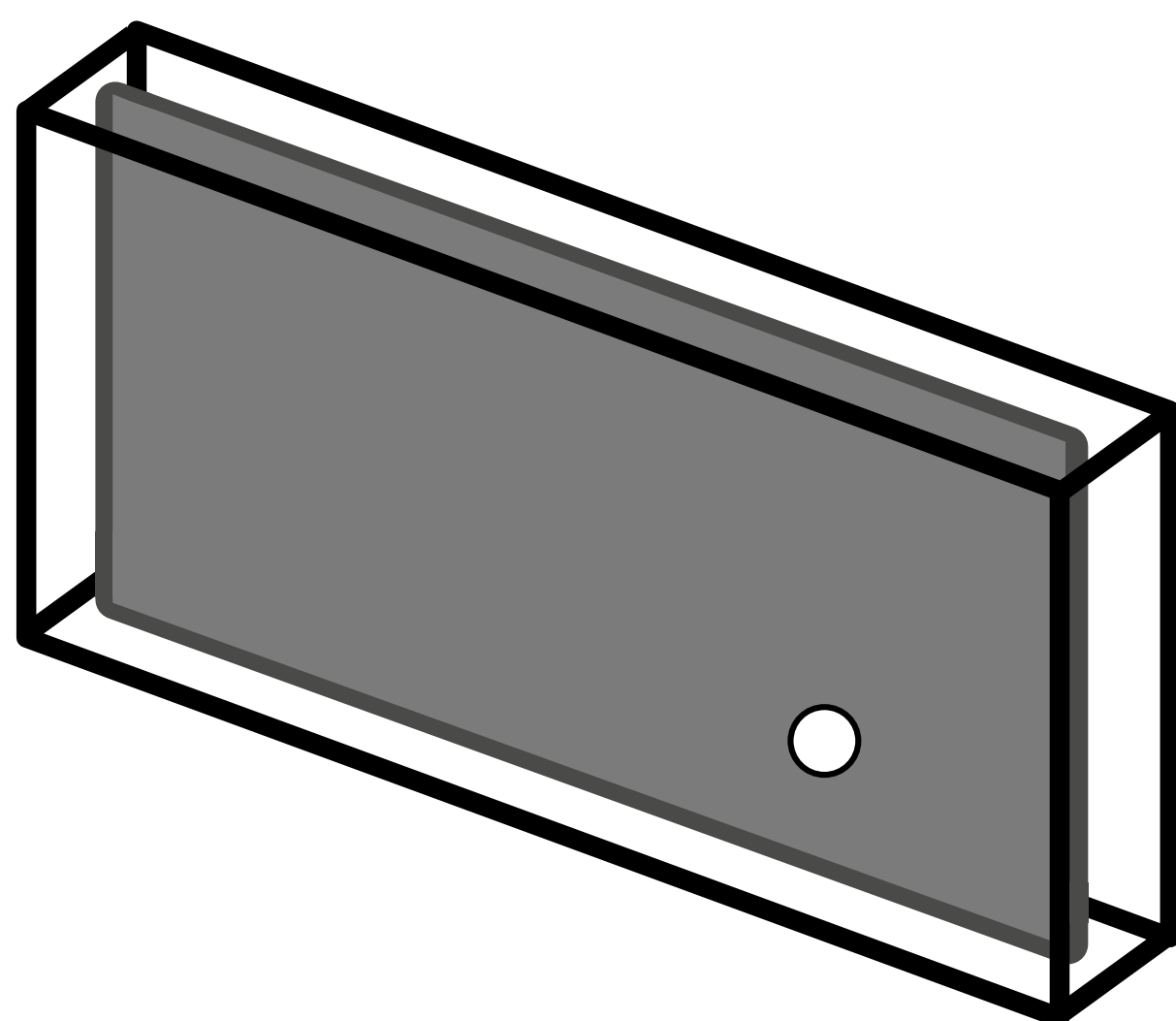
MAXI 27"



DIY MAXI 27"

THE CUSTOM MADE FRAME REQUIRES A DEEPENING ON THE BACKSIDE IN ORDER TO HIDE TO RASPI PI4 AND THE CABLES.

IT NEEDS A HOLE DRILLED TO GET YOUR CABLES TO THE FRONT.



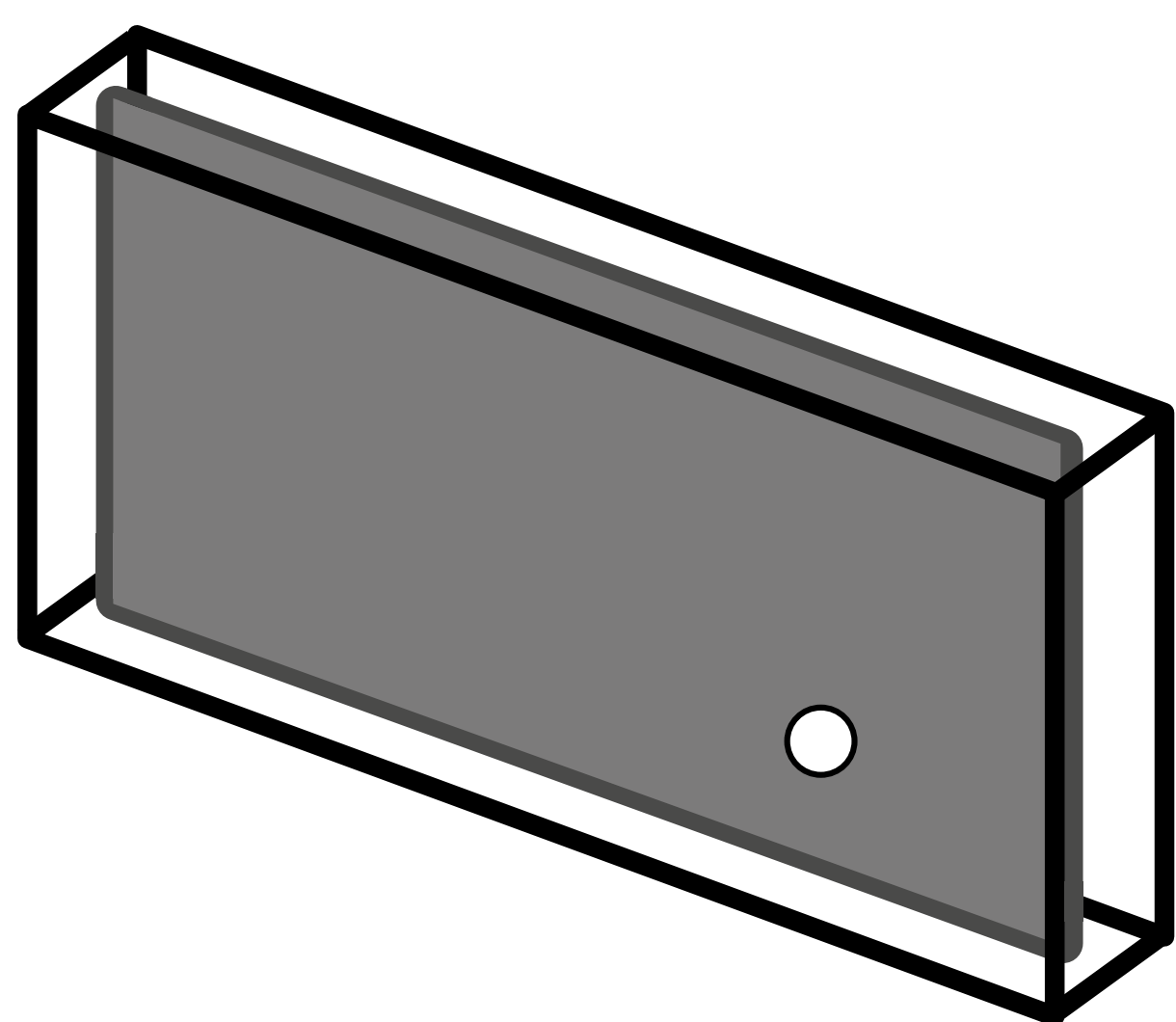
MAXI 27"



DIY MAXI 27"

THE FRONTSIDE NEEDS A WOODEN RAISER TO MATCH THE SURFACE OF THE DISPLAY IN DEPTH WITH THE FRAME.

USE THE VELCRO TAPE TO STICK TO RASPI AND OTHER PARTS TO THE FRAME.



MIDI 13.3"



DIY MIDI 13.3"

YOU WILL NEED THIS:

13" TOUCH DISPLAY [WAVESHARE IPS 1920X1080](#)

RASPI ZERO BT [4 MINIMAL SIZE](#)

POWER CABLE ANY OLD ANDROID USB-C WILL WORK

STANDARTRAME [HOLZ-BILDERRAHMEN PROFIL TOP PRO](#)

ARTBOX [UNIBOX ARTBOX 28X35 CM](#)

USB LED-STRIP [ANY CHEAP FROM EBAY](#)

USB-C HUB CONNECT LED

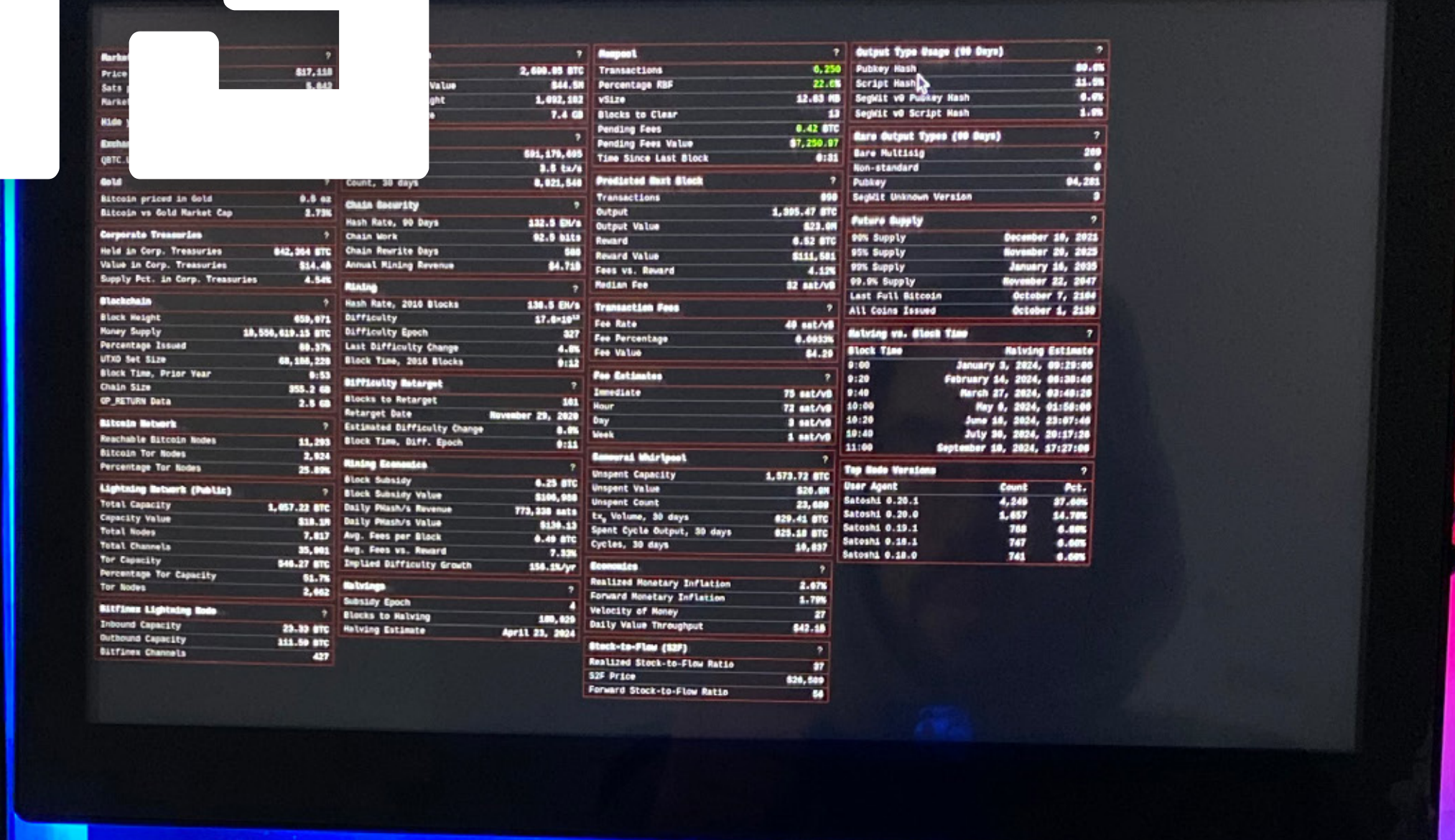
A LITTLE WOOD TO RAISE THE TABLET

VELCRO TAPE [HEAVY DUTY STICK ON](#)

HOTGLUE PISTOL COMES VERY HANDY

A DRILL ACCU POWERED FOR CONVINIENCE

MIDI 13



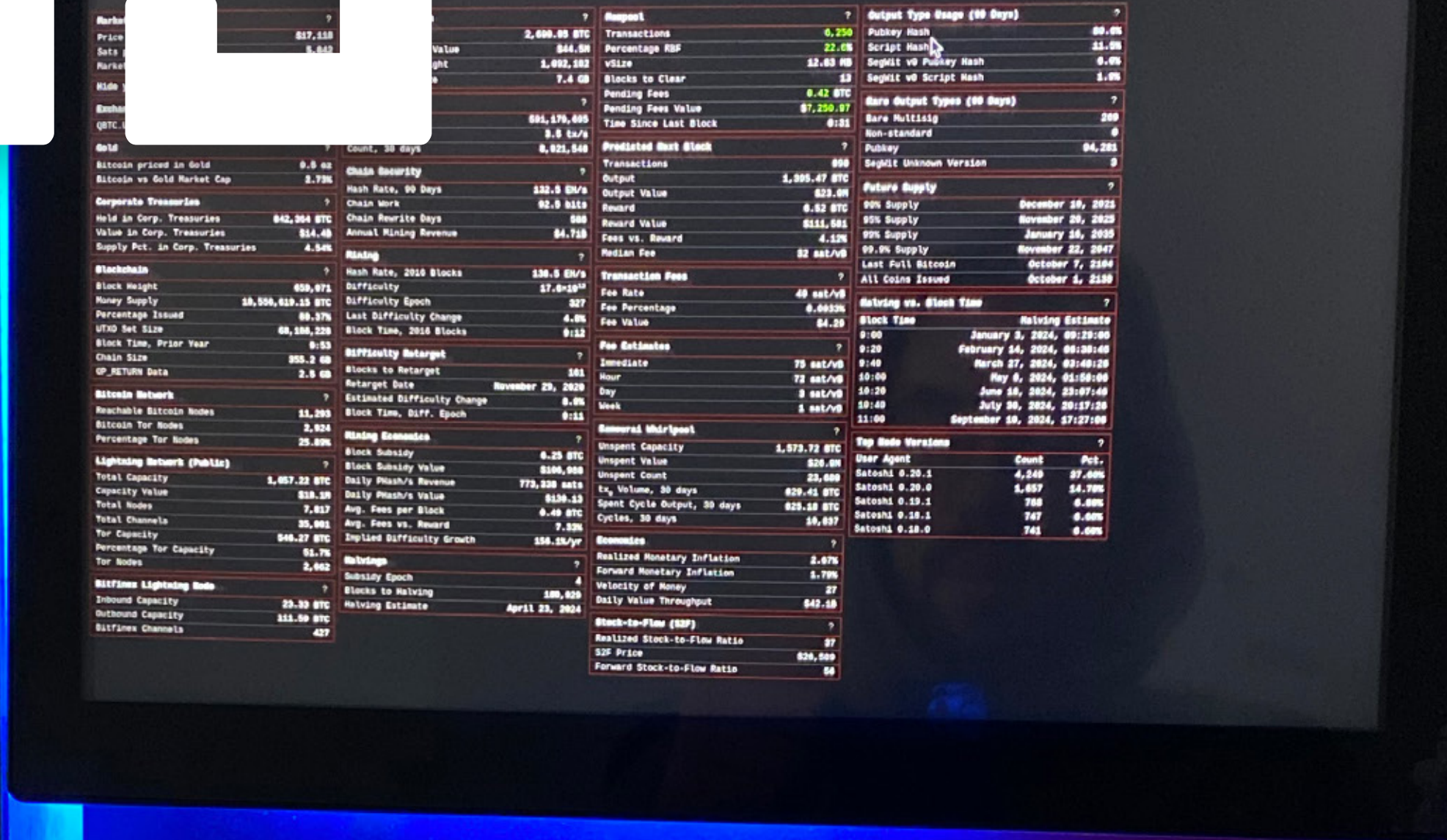
DIY MIDI 13"

THE FRAME NEEDS A HOLE DRILLED TO GET YOUR CABLES TO THE FRONT.

AND SOME WOOD IN THE RIGHT POSITION. THIS WAS MINE:



MIDI 13



DIY MIDI 13"

LED STICKS ON THE WOOD, THE VELCRO PARTS ON TOP TO HOLD YOUR DISPLAY.

ALL CABLES IN PLACES:



MINI

7"



DIY MINI 7"

YOU WILL NEED THIS:

OLD 7" TABLET I USED A GOOGLE NEXUS 7 2014
STANDARTRAME [HOLZ-BILDERRAHMEN PROFIL TOP PRO](#)

ARTBOX [UNIBOX ARTBOX 18X24 CM](#)

USB LED-STRIP [ANY CHEAP FROM EBAY](#)

OLD POWERBANK 4 LED ANYTHING SMALL

A LITTLE WOOD TO RAISE THE TABLET

VELCRO TAPE [HEAVY DUTY STICK ON](#)

HOTGLUE PISTOL COMES VERY HANDY

A DRILL ACCU POWERED FOR CONVINIENCE

MINI 7



DIY MINI 7"

ONLY SOME WOOD IN THE RIGHT POSITION AND YOUR GOOD TO GO.

THIS IS MY BEHIND THE SCENES:

